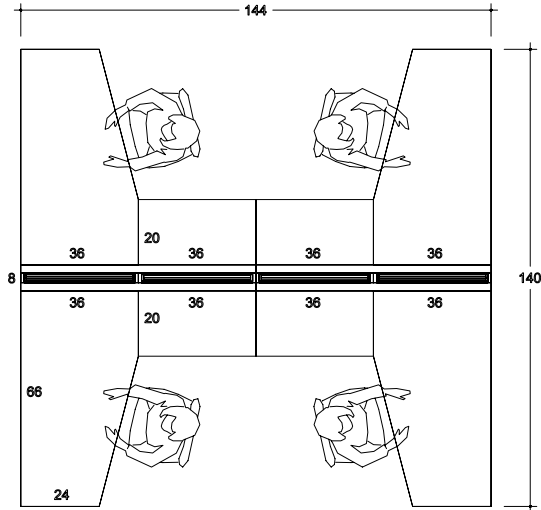


# YPC-603



Code	Description	D	W	H	Qty	\$/per	Total	CF/per	CF Total
DNL-36662024	Chisel-Shaped Table - LHS	36	66	29	2	971	1,942	10	20
EKZ-000006	Z-bracket for Tables (Module Unit)	1	1	5	4	35	140	1	4
DNR-36662024	Chisel-Shaped Table - RHS	36	66	29	2	971	1,942	10	20
EKZ-000006	Z-bracket for Tables (Module Unit)	1	1	5	4	35	140	1	4
MH2-203622	Module (Drawers/Lateral File)	20	36	22	4	746	2,984	9	36
MTP-012036	Top (Modules)	20	36	1	4	158	632	2	8
AUH-203615	Cushion (Fabric)	20	36	2	4	420	1,680	2	8
EFF-2436XX	Privacy Panel (Fabric)	3	36	24	2	856	1,712	2	4
EFW-2436XX	Privacy Panel (Whiteboard)	3	36	24	2	845	1,690	2	4
EFA-1236XX	Privacy Panel (Acrylic)	3	36	12	4	520	2,080	1	4
ESO-123612	Open Shelf Unit (For EF# Panels)	12	36	12	4	530	2,120	3	12
EBU-087222	Electric Base Unit	8	72	23	2	1,003	2,006	8	16
EPG-000072	Power Entry - 72"		72		1	163	163	1	1
EPK-000072	Electrical Harness Kit (72")		72		2	399	798	1	2
EPE-000018	Female / Female Jumper		18		1	79	79	1	1

Prices are shown in Simplicité Collection.

*inotec*

MSRP \$ 20,108  
VOLUME (CF)

144