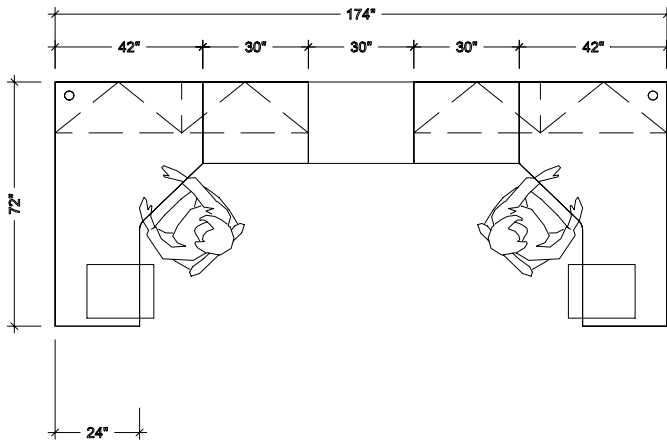


YPC-090



Code	Description	D	W	H	Qty	\$/per	Total	CF/per	CF Total
DXR-42722424	Extended Corner Unit @ 90° - RHS	42	72	29	1	872	872		12
DXL-42722424	Extended Corner Unit @ 90° - LHS	42	72	29	1	872	872		12
MF3-243028	Module (Single Lateral File)	24	30	28	2	793	1,586	12	24
MTP-012430	Top (Modules)	24	30	1	2	175	350	2	4
HWC-153619	Wall-Mounted Storage	15	36	19	4	650	2,600	6	24
SF4-243072	Filing Storage Cabinet	24	30	72	1	2,531	2,531	31	31
PM3-191628	Mobile Pedestal (BBF)	18	16	28	2	656	1,312	5	10

Prices are shown in Simplicité Collection.