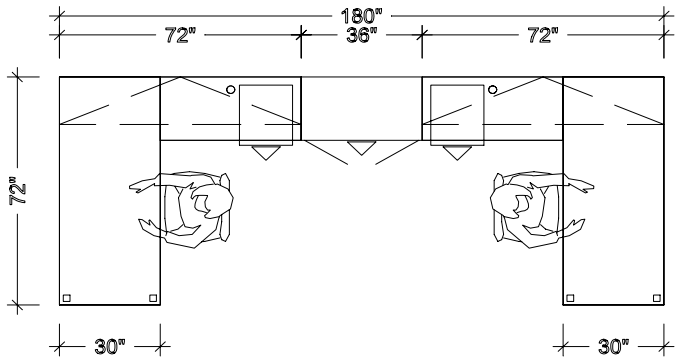


YPC-083



| Code | Description | D | W | H | Qty | \$/per | Total | CF/per | CF Total |
|------------|------------------------------------|----|----|----|-----|--------|-------|--------|----------|
| DTS-307229 | Rectangular-Shaped Table | 30 | 72 | 29 | 1 | 950 | 950 | 9 | 9 |
| DGR-153028 | Table Support Gable (Recessed RHS) | 15 | 30 | 28 | 1 | 383 | 383 | 3 | 3 |
| DTS-307229 | Rectangular-Shaped Table | 30 | 72 | 29 | 1 | 950 | 950 | 9 | 9 |
| DGL-153028 | Table Support Gable (Recessed LHS) | 15 | 30 | 28 | 1 | 383 | 383 | 3 | 3 |
| DRR-204229 | Return Unit (RHS) | 20 | 42 | 29 | 1 | 410 | 410 | 4 | 4 |
| DRL-204229 | Return Unit (LHS) | 20 | 42 | 29 | 1 | 410 | 410 | 4 | 4 |
| HCS-157243 | Closed Storage Hutch | 15 | 72 | 43 | 2 | 1,003 | 2,006 | 28 | 56 |
| HFH-017224 | Fabric Tackboard (Hutch) | | 70 | 24 | 2 | 410 | 820 | | |
| SF3-203672 | Filing Storage Cabinet | 20 | 36 | 72 | 1 | 1,953 | 1,953 | 31 | 31 |
| PM3-191628 | Mobile Pedestal (BBF) | 18 | 16 | 28 | 2 | 656 | 1,312 | 5 | 10 |

Prices are shown in Simplicité Collection.