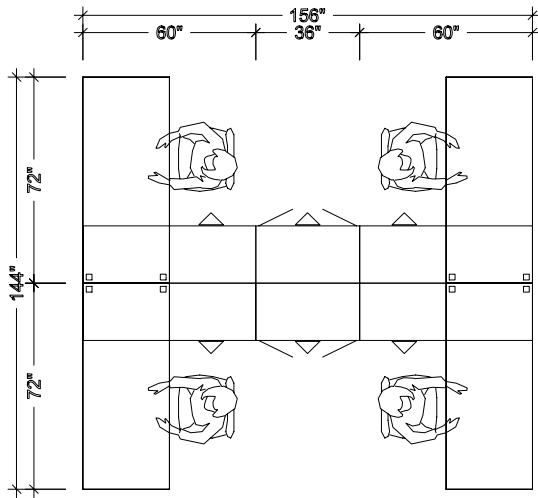


YPC-077



Code	Description	D	W	H	Qty	\$/per	Total	CF/per	CF Total
DTS-307229	Rectangular-Shaped Table	30	72	29	4	950	3,800	9	36
CFR-206022	Credenza (Bookcase/2 Drawers) - RHS	20	60	23	2	1,286	2,572	16	32
CFL-206022	Credenza (2 Drawers/Bookcase) - LHS	20	60	23	2	1,286	2,572	16	32
SF2-203666	Filing Storage Cabinet	20	36	66	2	1,271	2,542	29	58
VAS-016412	Privacy Glaze Panel (Straight)	0	64	12	4	425	1,700	3	12
EKS-000006	Support table spacer (EBU Unit)	2	2	5	8	120	960	1	8

Prices are shown in Simplicité Collection.