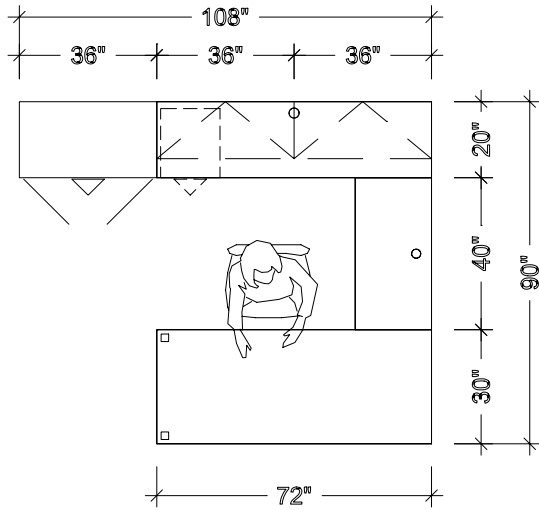


YPC-076



Code	Description	D	W	H	Qty	\$/per	Total	CF/per	CF Total
DTS-307229	Rectangular-Shaped Table	30	72	29	1	950	950	9	9
DGT-133028	Table Support Gable (Standard)	13	30	28	1	263	263	2	2
DBP-204029	Bridge Unit	20	42	29	1	399	399		4
DDS-207229	Desk Unit (Standard)	20	72	29	1	517	517	6	6
ACG-600000	Cable Grommet								
HWC-153619	Wall-Mounted Storage	15	36	19	1	650	650	6	6
HWO-153619	Wall-Mounted Open Storage	15	36	19	1	550	550	6	6
RWW-012472	Wall-Mounted Frameless Whiteboard	1	72	24	1	530	530	1	1
SF2-203672	Filing Storage Cabinet	20	36	72	1	1,323	1,323	31	31
PB3-181628	Pedestal (BBF)	18	16	28	1	620	620	5	5

Prices are shown in Simplicité Collection.