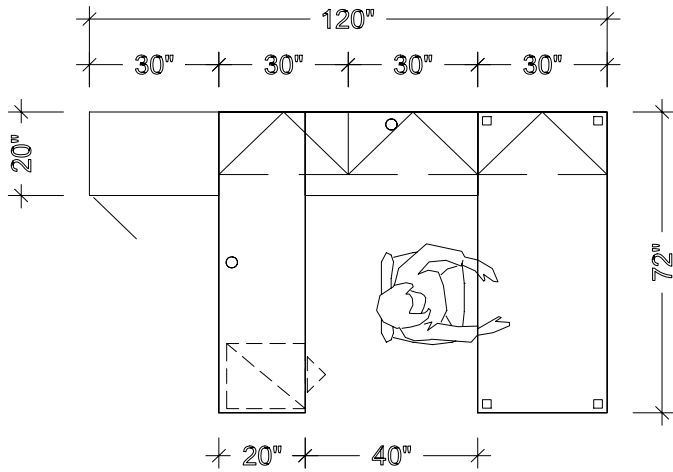


YPC-073



Code	Description	D	W	H	Qty	\$/per	Total	CF/per	CF Total
DTS-307229	Rectangular-Shaped Table	30	72	29	1	950	950	9	9
BMQ-020228	Metal Square Leg	2	2	28	2	142	284	2	4
TTR-020040	Top (Rectangular)	20	40	1	1	197	197		
ACG-600000	Cable Grommet								
DDS-207229	Desk Unit (Standard)	20	72	29	1	517	517	6	6
ACG-600000	Cable Grommet								
HWC-153019	Wall-Mounted Storage	15	30	19	3	600	1,800	5	15
RWB-012490	Wall-Mounted Frameless Tackboard	1	90	24	1	490	490	1	1
SDD-203072/C	Storage Wardrobe Cabinet - LHS No door on LHS	20	30	72	1	1,150	1,150		26
PB3-181628	Pedestal (BBF)	18	16	28	1	620	620	5	5

Prices are shown in Simplicité Collection.