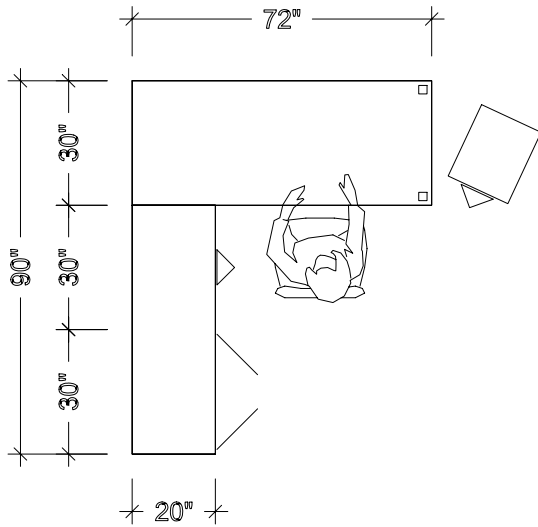


YPC-071



Code	Description	D	W	H	Qty	\$/per	Total	CF/per	CF Total
DTS-307229	Rectangular-Shaped Table	30	72	29	1	950	950	9	9
MA3-203028	Module (Bookcase)	20	30	28	1	656	656	10	10
MG3-203028	Module (Drawer/Lateral File)	20	30	28	1	809	809	10	10
MB3-203028	Module (Closed Storage)	20	30	28	1	595	595	10	10
MTP-012060	Top (Modules)	20	60	1	1	210	210	3	3
PMC-191622	Mobile Pedestal (BF)	18	16	22	1	604	604	4	4
AUH-191615	Cushion (Fabric)	19	16	2	1	263	263	2	2

Prices are shown in Simplicité Collection.