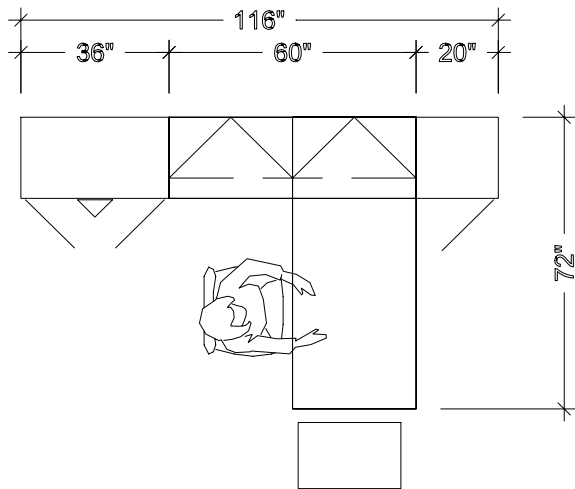


YPC-003



Code	Description	D	W	H	Qty	\$/per	Total	CF/per	CF Total
DTS-307229	Rectangular-Shaped Table	30	72	29	1	950	950	9	9
EKZ-000006	Z-bracket for Tables (Module Unit)	1	1	5	2	35	70	1	2
CMB-206022	Credenza (Sliding/Open) - LHS	20	60	23	1	1,024	1,024	16	16
HWO-153019	Wall-Mounted Open Storage	15	30	19	2	500	1,000	5	10
SDR-202066	Single Storage Cabinet - RHS	20	20	66	1	840	840	16	16
SF2-203666	Filing Storage Cabinet	20	36	66	1	1,271	1,271	29	29
PMC-191622	Mobile Pedestal (BF)	18	16	22	1	604	604	4	4
AUH-191615	Cushion (Fabric) - for ped.	19	16	2	1	263	263	2	2

Prices are shown in Simplicité Collection.